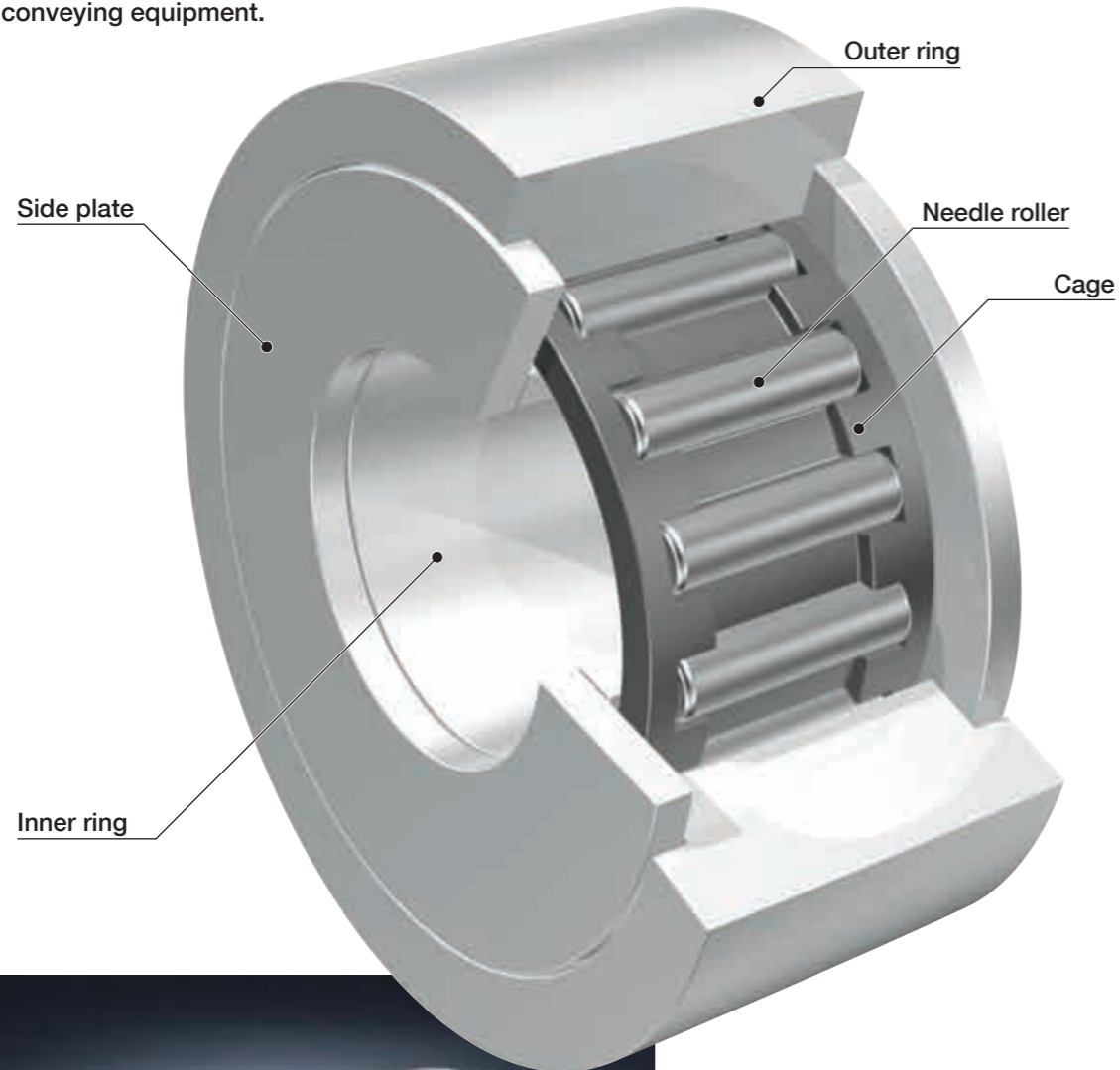


IKO Roller Followers RoHS compliant

IKO Roller Followers are bearings designed for outer ring rotation, in which needle rollers are incorporated in a thick walled outer ring.

Roller Followers include separable and non-separable types. These bearings are available in a variety of types to suit almost any kind of application. They are widely used for cam mechanisms and for linear motions of conveying equipment.



Roller Followers

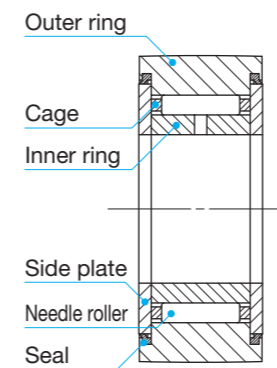


Roller Follower Series with reliability and actual operation results

Separable Roller Followers

NAST

Combining an outer ring, inner ring and Needle Roller Cage, which can be separated from one another, assembles these bearings. Thus, handling is easy. Oil lubrication is also easy, making them suitable for high-speed rotations. There are two types: type without inner ring RNAS and type with inner ring NAST.



Selectable product specifications

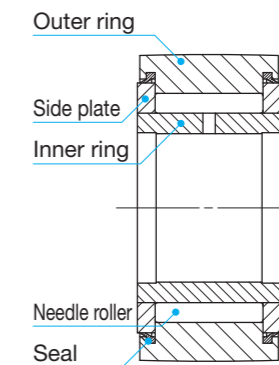
Roller guide type	No symbol		Caged
	V		Full complement
Seal structure	No symbol		Open type
	ZZ		Shield type
	ZZUU		Sealed type
Shape of outer ring	No symbol		Cylindrical outer ring
	R		Crowned outer ring

To page

Non-Separable Roller Followers

NART

These non-separable type bearings have side plates fixed on both sides of the inner ring, and include the caged type and the full complement type.



Selectable product specifications

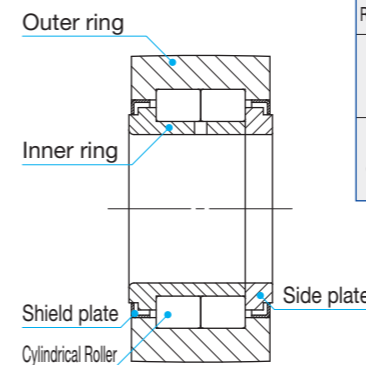
Roller guide type	No symbol		Caged
	V		Full complement
Seal structure	No symbol		Shield type
	UU		Sealed type
Shape of outer ring	No symbol		Cylindrical outer ring
	R		Crowned outer ring

To page

Cylindrical Roller Followers

NURT

These full complement type bearings incorporate cylindrical rollers in the outer ring in two rows and can withstand large radial loads and some axial loads.



Selectable product specifications

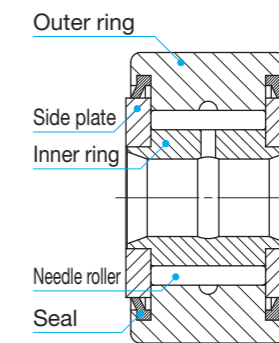
Roller guide type	No symbol		Full complement
Seal structure	No symbol		Shield type
	UU		Sealed type
Shape of outer ring	No symbol		Cylindrical outer ring
	R		Crowned outer ring

To page

Non-Separable Roller Followers, Inch Series

CRY

CRY type is Inch Series of NART series, which has large load capacity, coated with black oxide film treatment.



Selectable product specifications

Roller guide type	No symbol		Caged
	V		Full complement
Seal structure	No symbol		Shield type
	UU		Sealed type
Shape of outer ring	No symbol		Cylindrical outer ring
	R		Crowned outer ring

To page

Identification Number

Some examples of the identification number of Roller Followers are shown below. For applicable roller guide method, seal structure and shape of outer ring outside surface, refer dimension table of each series.

Examples of identification number				
Example 1	NAST	10	ZZUU	R
Example 2	NART	10	V UU	R
Example 3	NURT	15		R
Example 4	CRY	12	V UU	R

Model code			
Metric series	RNAST	Separable Roller Follower	Without inner ring
	NAST		With inner ring
	NART	Non-separable Roller Follower	
	NURT	Cylindrical Roller Follower	
Inch series	CRY	Non-separable Roller Follower	

Size
The size indicates the bore diameter of the inner ring. (unit: mm) In the inch series, the outer ring outside diameter is indicated in units of 1/16 inch.

Roller guide method	
No symbol	With cage
V	Full complement type

Seal structure (Separable Roller Follower)	
No symbol	Open type
ZZ	Shield type
ZZUU	Sealed type

Seal structure (Other Roller Follower)	
No symbol	Shield type
UU	Sealed type

Shape of outer ring outside surface	
R	With crowned outer ring
No symbol	With cylindrical outer ring

Load Rating and Life

Basic dynamic load rating C

The basic dynamic load rating is defined as the constant radial load that 90% of a group of identical Roller Followers can be operated 1,000,000 revolutions individually under the same conditions free from any material damage caused by rolling fatigue.

Basic static load rating C_0

The basic static load rating is the static radial load constant in direction and magnitude that gives the contact stress shown at the center of the contact area of the rolling element and the raceway receiving the maximum load.

Bearing life

Basic rating life is calculated as following formula.

$$L_{10} = \left(\frac{C}{P_r}\right)^{10/3} \dots\dots\dots (1)$$

where, L_{10} : Basic rating life, 10^6 rev.
 C : Basic dynamic load rating, N
 P_r : Dynamic equivalent radial load, N

Accordingly, when the rotational speed per minute is given, the basic rating life is represented as the total service hours according to the following equations:

$$L_h = \frac{10^6 L_{10}}{60n} \dots\dots\dots (2)$$

where, L_h : Basic rating life represented by service hours, h
 n : Rotation speed, min^{-1}

Static Safety factor

The static safety factor f_s is defined as in the following equation and its general values are shown in Table 1.

$$f_s = \frac{C_0}{P_0} \dots\dots\dots (3)$$

where, C_0 : Basic static load rating, N
 P_0 : Static equivalent load, N

Table 1 Static safety factor

Operating conditions of the bearing	f_s
When high rotational accuracy is required	≥ 3
For ordinary operation conditions	≥ 1.5
For ordinary operation conditions not requiring very smooth rotation When there is almost no rotation	≥ 1

Load factor

It is not unusual for the actual Roller Followers loads to exceed the calculated loads, due to vibration and shocks produced when operating the machine. The actual bearing load is obtained by multiplying the calculated load by the load factor shown in Table 2.

Table 2 Load Factor

Operating conditions	f_w
Smooth operation without shocks	1 ~ 1.2
Ordinary operation	1.2 ~ 1.5
Operation subjected to vibration and shocks	1.5 ~ 3

Maximum Allowable Static Load

The load that is applicable to Roller Followers is, in some cases, determined by the strength of the outer ring rather than by the load rating of the needle roller bearing. Therefore, the maximum allowable load that is limited by the strength of outer ring is specified.

Accuracy

Dimensional accuracy and rotational accuracy of Roller Followers are based on Tables 3, 4.1, 4.2 and 5. Tolerances for the smallest single roller set bore diameter of Separable Roller Followers are shown in Table 5. Roller Followers with special accuracy can also be manufactured. Please contact IKO.

Table 3 Tolerances

unit: μm

Dimensions and symbols	Series		Metric series		Inch series	
			Crowned outer ring	Cylindrical outer ring	Crowned outer ring	Cylindrical outer ring
Bore dia. of inner ring d	$d \leq 19.05$		See Table 4.1		+ 5 - 10	+ 5 - 10
	$19.05 < d$				+ 2 - 12	
Outside dia. of outer ring D			0 - 50	See Table 4.2	0 - 50	See Table 4.3
Width of outer ring C			0 - 120		0 - 130	
Width of inner ring B	Separable Roller Follower		0 - 120		-	
Width of bearing B	Non-separable Roller Follower		-		+ 130	
	Cylindrical Roller Follower		h12		- 250	
Roller set bore dia. F_w	Separable Roller Follower		See Table 5.		-	

Table 4.1 Tolerances and allowable values of inner rings (Metric series)

unit: μm

d Nominal bore dia. mm		Δd_{mp} Single plane mean bore dia. deviation		V_{dsp} Bore dia. variation in a single radial plane	V_{dmp} Mean bore dia. variation	K_{ia} Radial runout of assembled bearing inner ring	V_{Bs} Width variation
Over	Incl.	High	Low	(Max.)	(Max.)	(Max.)	(Max.)
2.5	10	0	- 8	10	6	10	15
10	18	0	- 8	10	6	10	20
18	30	0	- 10	13	8	13	20
30	50	0	- 12	15	9	15	20

Table 4.2 Tolerances and allowable values of outer rings (Metric series with Cylindrical outer ring)

unit: μm

D Nominal outside dia. of outer ring mm		ΔD_{mp} Single plane mean outside dia. deviation		V_{Dsp} Outside dia. variation in a single radial plane	V_{Dmp} Mean outside dia. variation	K_{ca} Radial runout of assembled bearing outer ring	V_{Cs} Width variation
Over	Incl.	High	Low	(Max.)	(Max.)	(Max.)	(Max.)
6	18	0	- 8	10	6	15	Same as the tolerance values of V_{Bs} for d of the inner of the same bearing
18	30	0	- 9	12	7	15	
30	50	0	- 11	14	8	20	
50	80	0	- 13	16	10	25	
80	120	0	- 15	19	11	35	

Table 4.3 Tolerances and allowable values of outer ring (Inch series cylindrical outer ring)

unit: μm

D Nominal outside dia. of outer ring mm		ΔD_{mp} Single plane mean outside dia. deviation		V_{Dsp} Bore dia. variation in a single radial plane	V_{Dmp} Mean Bore dia. variation	K_{ca} Radial runout of assembled bearing outer ring
Over	Incl.	High	Low	(Max.)	(Max.)	(Max.)
6	18	0	- 25	10	6	15
18	30			12	7	15
30	50			14	8	20
50	80			16	10	25
80	120			19	11	35

Table 5 Tolerances of smallest single roller set bore diameter $F_{ws \min}$

unit: μm

F_w Nominal roller set bore diameter mm		$\Delta F_{ws \min}$ Deviation of smallest single roller set bore diameter	
Over	Incl.	High	Low
6	10	+ 22	+ 13
10	18	+ 27	+ 16
18	30	+ 33	+ 20
30	50	+ 41	+ 25
50	80	+ 49	+ 30

Fit

Roller Followers are generally used under the loading conditions in which the load direction is fixed in relation to the inner ring and rotates in relation to the outer ring. The recommended fits for shafts are shown in Table 6. Those for the inch series are shown in the dimension table.

Table 6 Recommended fit (Metric series)

Type	Tolerance class of shaft	
Separable Roller Followers	without inner ring	k5, k6
	with inner ring	g6, h6
Non-separable Roller Followers		
Cylindrical Roller Followers		

Clearance

Radial internal clearances of Roller Followers are based on Table 7.

Table 7 Radial internal clearance

unit: μm

Identification number ⁽¹⁾				Radial internal clearance	
Metric series			Inch series	Min.	Max.
Separable Roller Followers	Non-separable Roller Followers	Cylindrical Roller Followers	Non-separable Roller Followers		
NAST 6R	NART 5R	-	-	5	20
NAST 8R ~ NAST12R	NART 6R ~ NART12R	-	-	5	25
NAST15R ~ NAST25R	NART15R ~ NART20R	-	-	10	30
NAST30R ~ NAST40R	NART25R ~ NART40R	-	-	10	40
NAST45R, NAST50R	NART45R, NART50R	-	-	15	50
-	-	NURT15R ~ NURT30-1R	-	20	45
-	-	NURT35R ~ NURT40-1R	-	25	50
-	-	NURT45R ~ NURT50-1R	-	30	60
-	-	-	CRY12R ~ CRY56R	35	60
-	-	-	CRY64R	45	70

Note⁽¹⁾ Also applicable to the full complement type, cylindrical outer ring type, shield type and sealed type.

Track Capacity

Track capacity is defined as the load that can be continuously applied on a Roller Follower placed on a steel track surface without causing deformation and indentation on the track surface when the outer ring of the Roller Follower makes contact with the mating track surface (plane). The track capacities shown in Tables 8.1 and 8.2 are applicable when the hardness of the mating track surface is 40HRC (Tensile strength 1250N/mm²). When the hardness of the mating track surface differs from 40HRC, the track capacity is

obtained by multiplying the value by the track capacity factor shown in Table 9. If lubrication between the outer ring and the mating track surface is insufficient, seizure and/or wear may occur depending on the application. Therefore, pay attention to lubrication and surface roughness of the mating track especially in the case of high-speed rotation such as for cam mechanisms.

Table 8.1 Track capacity (Metric series)

Roller Followers with crowned outer ring				Roller Followers with cylindrical outer ring					
Identification number ⁽¹⁾			Track capacity	Identification number	Track capacity	Identification number ⁽²⁾	Track capacity	Identification number	Track capacity
Separable Roller Followers	Non-separable Roller Followers	Cylindrical Roller Followers							
RNAST 5R	NART 5R	—	1 040	RNAST 5	2 310	—	—	—	—
(R)NAST 6R	NART 6R	—	1 330	(R)NAST 6	3 550	NAST 6ZZ	3 550	—	—
(R)NAST 8R	NART 8R	—	1 850	(R)NAST 8	3 980	NAST 8ZZ	4 490	—	—
(R)NAST10R	NART10R	—	2 470	(R)NAST10	5 610	NAST10ZZ	6 890	—	—
(R)NAST12R	NART12R	—	2 710	(R)NAST12	5 990	NAST12ZZ	7 350	—	—
(R)NAST15R	NART15R	NURT15 R	3 060	(R)NAST15	6 550	NAST15ZZ	8 030	NURT 15	11 500
—	—	NURT15-1R	3 910	—	—	—	—	NURT 15-1	13 700
(R)NAST17R	NART17R	NURT17 R	3 660	(R)NAST17	10 900	NAST17ZZ	11 700	NURT 17	13 600
—	—	NURT17-1R	4 530	—	—	—	—	NURT 17-1	16 000
(R)NAST20R	NART20R	NURT20 R	4 530	(R)NAST20	12 800	NAST20ZZ	13 800	NURT 20	20 000
—	—	NURT20-1R	5 190	—	—	—	—	NURT 20-1	22 100
(R)NAST25R	NART25R	NURT25 R	5 190	(R)NAST25	14 100	NAST25ZZ	15 300	NURT 25	22 100
—	—	NURT25-1R	6 580	—	—	—	—	NURT 25-1	26 400
(R)NAST30R	NART30R	NURT30 R	6 580	(R)NAST30	22 100	NAST30ZZ	22 100	NURT 30	31 600
—	—	NURT30-1R	8 020	—	—	—	—	NURT 30-1	36 700
(R)NAST35R	NART35R	NURT35 R	8 020	(R)NAST35	25 700	NAST35ZZ	25 700	NURT 35	36 700
—	—	NURT35-1R	9 220	—	—	—	—	NURT 35-1	40 800
(R)NAST40R	NART40R	NURT40 R	9 220	(R)NAST40	26 900	NAST40ZZ	30 300	NURT 40	44 200
—	—	NURT40-1R	10 800	—	—	—	—	NURT 40-1	49 700
(R)NAST45R	NART45R	NURT45 R	9 990	(R)NAST45	28 500	NAST45ZZ	32 200	NURT 45	47 000
—	—	NURT45-1R	12 400	—	—	—	—	NURT 45-1	55 300
(R)NAST50R	NART50R	NURT50 R	10 800	(R)NAST50	30 200	NAST50ZZ	34 000	NURT 50	49 700
—	—	NURT50-1R	14 000	—	—	—	—	NURT 50-1	60 800

Notes⁽¹⁾ Also applicable to the full complement type, shield type, and sealed type.
⁽²⁾ Also applicable to the sealed type.

Table 8.2 Track capacity (Inch series)

Crowned outer ring		Cylindrical outer ring	
Identification number ⁽¹⁾	Track capacity	Identification number ⁽¹⁾	Track capacity
CRY12 R	853	CRY12	4 490
CRY14 R	1 050	CRY14	5 240
CRY16 R	1 420	CRY16	7 270
CRY18 R	1 660	CRY18	7 700
CRY20 R	2 160	CRY20	10 700
CRY22 R	2 450	CRY22	11 800
CRY24 R	3 410	CRY24	15 400
CRY26 R	3 820	CRY26	16 700
CRY28 R	4 210	CRY28	21 000
CRY30 R	4 610	CRY30	22 500
CRY32 R	5 690	CRY32	30 800
CRY36 R	6 640	CRY36	34 700
CRY40 R	8 970	CRY40	44 900
CRY44 R	10 200	CRY44	49 400
CRY48 R	11 400	CRY48	64 300
CRY52 R	12 700	CRY52	69 600
CRY56 R	14 100	CRY56	87 000
CRY64 R	16 800	CRY64	113 000

Note⁽¹⁾ Also applicable to the sealed type.

Table 9 Track capacity factor

Hardness	Tensile strength	Track capacity factor	
		Crowned outer ring	Cylindrical outer ring
20	760	0.22	0.37
25	840	0.31	0.46
30	950	0.45	0.58
35	1 080	0.65	0.75
38	1 180	0.85	0.89
40	1 250	1.00	1.00
42	1 340	1.23	1.15
44	1 435	1.52	1.32
46	1 530	1.85	1.51
48	1 635	2.27	1.73
50	1 760	2.80	1.99
52	1 880	3.46	2.29
54	2 015	4.21	2.61
56	2 150	5.13	2.97
58	2 290	6.26	3.39

Allowable Rotational Speed

The allowable rotational speed of Roller Followers is affected by mounting and operating conditions. For reference, Table 10 shows *dn* values when only pure radial loads are applied. Under actual operating conditions, the recommended *dn* value is 1/10 of the value shown in the table in consideration of the axial loads that may act on the bearing.

Table 10 *dn* values of Roller Followers⁽¹⁾

Type	Lubricant	Grease	Oil
Caged type		84 000	140 000
Full complement type		42 000	70 000
Cylindrical Roller Follower		72 000	120 000

Note⁽¹⁾ dn value = $d \times n$
 where, d : Bore diameter of bearing mm
 n : Rotational speed rpm

Lubrication

In Sealed Type Roller Followers, Cylindrical Roller Followers and Inch series Roller Followers, ALVANIA GREASE S2 (SHELL) is prepacked as the lubricating grease. For Roller Followers without prepacked grease, grease or oil should be supplied through the oil hole of the inner ring for use. If they are used without lubrication, wear of rolling contact surfaces may take place, leading to a short bearing life.

Oil Hole

Open Type Separable Roller Followers have no oil hole. Inner rings of other types of Metric series Roller Followers have an oil hole. Inch series inner rings have an oil groove and an oil hole.

Mounting

- In case of shield and sealed types, match the side surface correctly to the mating seating surface indicated by the dimension *a* shown in the dimension table, and fix them. (See Fig. 1.)
- When mounting Roller Followers, pay special attention to avoid locating the oil hole of the inner ring within the loading zone. This may lead to a short bearing life. (See Fig. 2.)
- When mounting Sealed Type Separable Roller Followers, do not cause the side plates to come off. If they come off, set them again in place taking care to avoid damaging the seal lips.

④ In case of Roller Followers without an inner ring, the shaft requires heat treatment and grinding finish. The recommended surface hardness of the shaft is 58 ~ 64HRC, and the recommended roughness of the shaft is 0.2 μmR_a or less.

Also, the outer ring and cage are guided by side surfaces of the mounting parts. Therefore, it is recommended that the side surfaces of the mounting parts be finished by grinding or at least by machining. (See Fig. 3.)

⑤ In Non-separable Roller Followers, the side plates are press-fitted. Therefore, when mounting the Roller Followers, do not push the side plates.

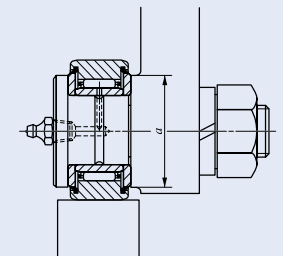


Fig. 1 Mating seating dimension "a"

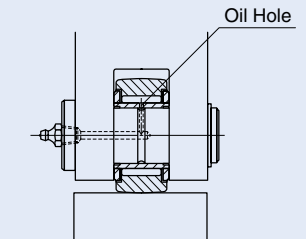


Fig. 2 Position of oil hole and load direction

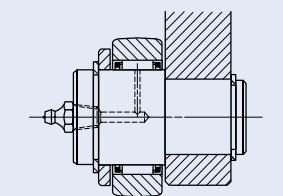
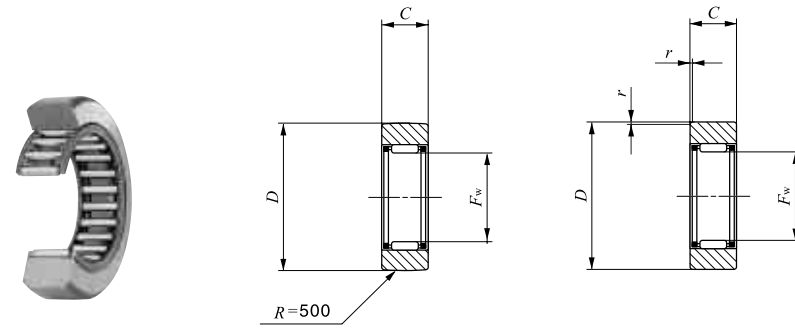


Fig. 3 Mounting example of Roller Follower without inner ring

IKO Separable Roller Followers, Open Type With Cage/Without Inner Ring

Selectable product specifications

Roller guide type	No symbol	Caged
	V	Full complement
Seal structure	No symbol	Open type
	ZZ	Shield type
	ZZUU	Sealed type
Shape of outer ring	No symbol	Cylindrical outer ring
	R	Crowned outer ring



RNAS...R

RNAST

Shaft dia. mm	Identification number		Mass (Ref.) g	Boundary dimensions mm				Basic dynamic load rating C N	Basic static load rating C ₀ N
	Open type			F _w	D	C	r ⁽¹⁾ r _{s min}		
	Crowned outer ring	Cylindrical outer ring							
7	RNAST 5 R	RNAST 5	8.9	7	16	7.8	0.3	2 710	2 390
10	RNAST 6 R	RNAST 6	13.9	10	19	9.8	0.3	4 160	4 550
12	RNAST 8 R	RNAST 8	23.5	12	24	9.8	0.6	5 650	5 890
14	RNAST 10 R	RNAST 10	42.5	14	30	11.8	1	9 790	9 680
16	RNAST 12 R	RNAST 12	49.5	16	32	11.8	1	10 500	10 900
20	RNAST 15 R	RNAST 15	50	20	35	11.8	1	12 400	14 300
22	RNAST 17 R	RNAST 17	90	22	40	15.8	1	17 600	20 900
25	RNAST 20 R	RNAST 20	135	25	47	15.8	1	19 400	24 500
30	RNAST 25 R	RNAST 25	152	30	52	15.8	1	20 800	28 400
38	RNAST 30 R	RNAST 30	255	38	62	19.8	1	30 500	45 400
42	RNAST 35 R	RNAST 35	375	42	72	19.8	1	32 400	50 600
50	RNAST 40 R	RNAST 40	420	50	80	19.8	1.5	35 900	61 100
55	RNAST 45 R	RNAST 45	460	55	85	19.8	1.5	37 400	66 400
60	RNAST 50 R	RNAST 50	500	60	90	19.8	1.5	38 900	71 700

Note(1) Minimum allowable value of chamfer dimension r

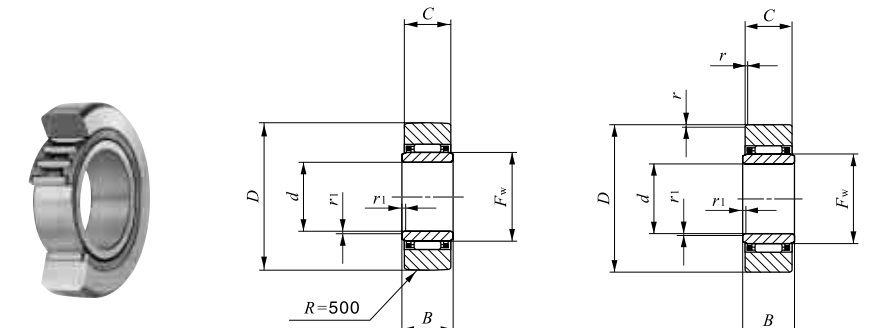
Remarks1. No oil hole is provided.

2. Not provided with prepacked grease. Perform proper lubrication for use.

IKO Separable Roller Followers, Open Type With Cage/With Inner Ring

Selectable product specifications

Roller guide type	No symbol	Caged
	V	Full complement
Seal structure	No symbol	Open type
	ZZ	Shield type
	ZZUU	Sealed type
Shape of outer ring	No symbol	Cylindrical outer ring
	R	Crowned outer ring



NAST...R

NAST

Shaft dia. mm	Identification number		Mass (Ref.) g	Boundary dimensions mm							Basic dynamic load rating C N	Basic static load rating C ₀ N	Assembled inner ring
	Open type			d	D	B	C	r ⁽¹⁾ r _{s min}	r ⁽¹⁾ r _{1s min}	F _w			
	Crowned outer ring	Cylindrical outer ring											
6	NAST 6 R	NAST 6	17.8	6	19	10	9.8	0.3	0.3	10	4 160	4 550	LRT 61010 S
8	NAST 8 R	NAST 8	28	8	24	10	9.8	0.6	0.3	12	5 650	5 890	LRT 81210 S
10	NAST 10 R	NAST 10	49.5	10	30	12	11.8	1	0.3	14	9 790	9 680	LRT 101412 S
12	NAST 12 R	NAST 12	58	12	32	12	11.8	1	0.3	16	10 500	10 900	LRT 121612 S
15	NAST 15 R	NAST 15	62	15	35	12	11.8	1	0.3	20	12 400	14 300	LRT 152012 S
17	NAST 17 R	NAST 17	109	17	40	16	15.8	1	0.3	22	17 600	20 900	LRT 172216 S
20	NAST 20 R	NAST 20	157	20	47	16	15.8	1	0.3	25	19 400	24 500	LRT 202516 S
25	NAST 25 R	NAST 25	180	25	52	16	15.8	1	0.3	30	20 800	28 400	LRT 253016 S
30	NAST 30 R	NAST 30	320	30	62	20	19.8	1	0.6	38	30 500	45 400	LRT 303820 S
35	NAST 35 R	NAST 35	440	35	72	20	19.8	1	0.6	42	32 400	50 600	LRT 354220 S
40	NAST 40 R	NAST 40	530	40	80	20	19.8	1.5	1	50	35 900	61 100	LRT 405020 S
45	NAST 45 R	NAST 45	580	45	85	20	19.8	1.5	1	55	37 400	66 400	LRT 455520 S
50	NAST 50 R	NAST 50	635	50	90	20	19.8	1.5	1	60	38 900	71 700	LRT 506020 S

Note(1) Minimum allowable value of chamfer dimension r or r₁

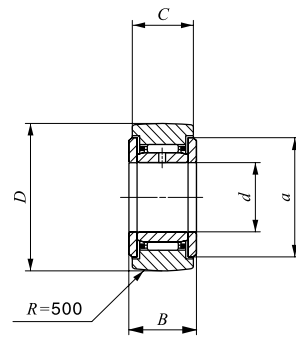
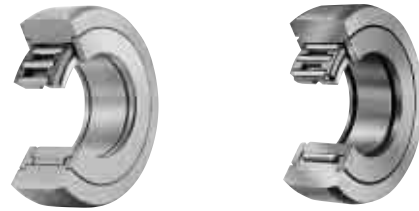
Remarks1. No oil hole is provided.

2. Not provided with prepacked grease. Perform proper lubrication for use.

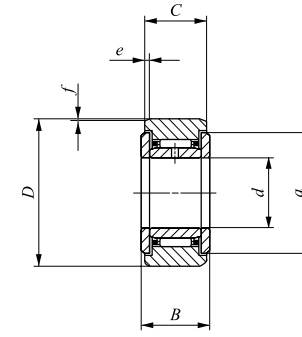
IKO Separable Roller Followers, Shield Type With Cage/With Inner Ring
IKO Separable Roller Followers, Sealed Type With Cage/With Inner Ring

Selectable product specifications

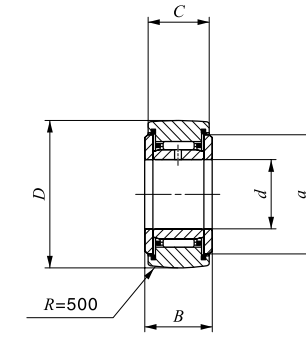
Roller guide type	No symbol	Caged
	V	Full complement
Seal structure	No symbol	Open type
	ZZ	Shield type
	ZZUU	Sealed type
Shape of outer ring	No symbol	Cylindrical outer ring
	R	Crowned outer ring



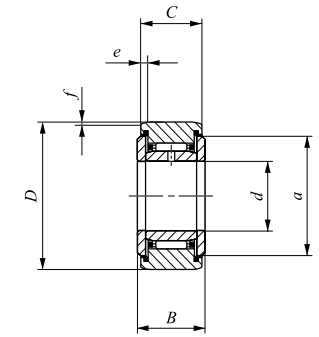
NAST...ZZR



NAST...ZZ



NAST...ZZUUR



NAST...ZZUU

Shaft dia. mm	Identification number				Mass (Ref.) g
	Shield type		Sealed type		
	Crowned outer ring	Cylindrical outer ring	Crowned outer ring	Cylindrical outer ring	
6	NAST 6 ZZR	NAST 6 ZZ	NAST 6 ZZUUR	NAST 6 ZZUU	24.5
8	NAST 8 ZZR	NAST 8 ZZ	NAST 8 ZZUUR	NAST 8 ZZUU	39
10	NAST 10 ZZR	NAST 10 ZZ	NAST 10 ZZUUR	NAST 10 ZZUU	65
12	NAST 12 ZZR	NAST 12 ZZ	NAST 12 ZZUUR	NAST 12 ZZUU	75
15	NAST 15 ZZR	NAST 15 ZZ	NAST 15 ZZUUR	NAST 15 ZZUU	83
17	NAST 17 ZZR	NAST 17 ZZ	NAST 17 ZZUUR	NAST 17 ZZUU	135
20	NAST 20 ZZR	NAST 20 ZZ	NAST 20 ZZUUR	NAST 20 ZZUU	195
25	NAST 25 ZZR	NAST 25 ZZ	NAST 25 ZZUUR	NAST 25 ZZUU	225
30	NAST 30 ZZR	NAST 30 ZZ	NAST 30 ZZUUR	NAST 30 ZZUU	400
35	NAST 35 ZZR	NAST 35 ZZ	NAST 35 ZZUUR	NAST 35 ZZUU	550
40	NAST 40 ZZR	NAST 40 ZZ	NAST 40 ZZUUR	NAST 40 ZZUU	710
45	NAST 45 ZZR	NAST 45 ZZ	NAST 45 ZZUUR	NAST 45 ZZUU	760
50	NAST 50 ZZR	NAST 50 ZZ	NAST 50 ZZUUR	NAST 50 ZZUU	830

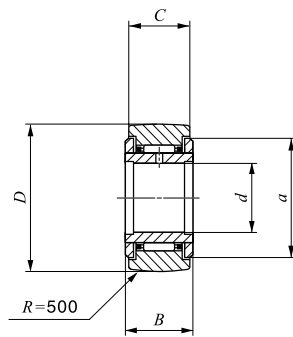
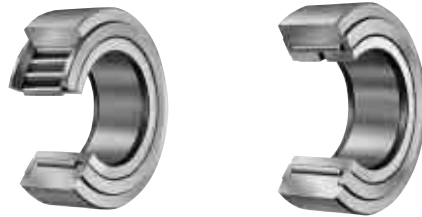
Remarks1. The inner ring has an oil hole.
 2. The sealed type is provided with prepacked grease. The shield type is not provided with prepacked grease. Perform proper lubrication for use.

Boundary dimensions mm							Basic dynamic load rating C N	Basic static load rating C ₀ N
d	D	B	C	a	e	f		
6	19	14	13.8	14	2.5	0.8	4 160	4 550
8	24	14	13.8	17.5	2.5	0.8	5 650	5 890
10	30	16	15.8	23.5	2.5	0.8	9 790	9 680
12	32	16	15.8	25.5	2.5	0.8	10 500	10 900
15	35	16	15.8	29	2.5	0.8	12 400	14 300
17	40	20	19.8	32.5	3	1	17 600	20 900
20	47	20	19.8	38	3	1	19 400	24 500
25	52	20	19.8	43	3	1	20 800	28 400
30	62	25	24.8	50.5	4	1.2	30 500	45 400
35	72	25	24.8	53.5	4	1.2	32 400	50 600
40	80	26	25.8	61.5	4	1.2	35 900	61 100
45	85	26	25.8	66.5	4	1.2	37 400	66 400
50	90	26	25.8	76	4	1.2	38 900	71 700

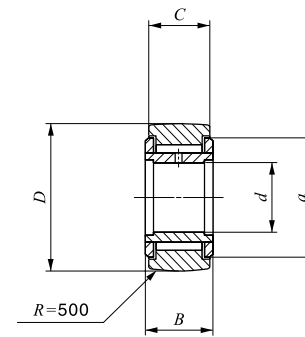
IKO Non-separable Roller Followers With Cage/With Inner Ring
Full Complement Type/With Inner Ring

Selectable product specifications

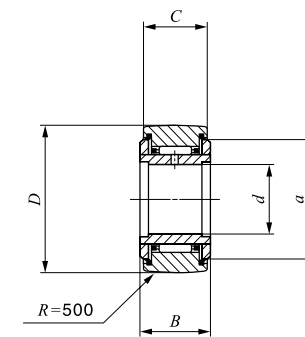
Roller guide type	No symbol	Caged
	V	Full complement
Seal structure	No symbol	Shield type
	UU	Sealed type
Shape of outer ring	No symbol	Cylindrical outer ring
	R	Crowned outer ring



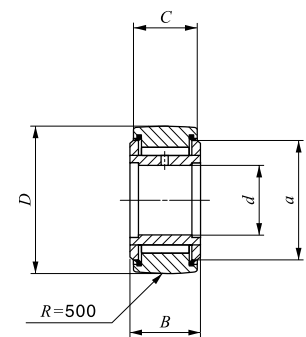
NART...R



NART...VR



NART...UUR



NART...VUUR

Shaft dia. mm	Identification number				Mass (Ref.) g
	Shield type Crowned outer ring		Sealed type Crowned outer ring		
	With cage	Full complement	With cage	Full complement	
5	NART 5 R	—	NART 5 UUR	—	14.5
	—	NART 5 VR	—	NART 5 VUUR	15.1
6	NART 6 R	—	NART 6 UUR	—	20.5
	—	NART 6 VR	—	NART 6 VUUR	21.5
8	NART 8 R	—	NART 8 UUR	—	41.5
	—	NART 8 VR	—	NART 8 VUUR	42.5
10	NART 10 R	—	NART 10 UUR	—	64.5
	—	NART 10 VR	—	NART 10 VUUR	66.5
12	NART 12 R	—	NART 12 UUR	—	71
	—	NART 12 VR	—	NART 12 VUUR	73
15	NART 15 R	—	NART 15 UUR	—	102
	—	NART 15 VR	—	NART 15 VUUR	106
17	NART 17 R	—	NART 17 UUR	—	149
	—	NART 17 VR	—	NART 17 VUUR	155
20	NART 20 R	—	NART 20 UUR	—	250
	—	NART 20 VR	—	NART 20 VUUR	255
25	NART 25 R	—	NART 25 UUR	—	285
	—	NART 25 VR	—	NART 25 VUUR	295
30	NART 30 R	—	NART 30 UUR	—	470
	—	NART 30 VR	—	NART 30 VUUR	485
35	NART 35 R	—	NART 35 UUR	—	640
	—	NART 35 VR	—	NART 35 VUUR	655
40	NART 40 R	—	NART 40 UUR	—	845
	—	NART 40 VR	—	NART 40 VUUR	865
45	NART 45 R	—	NART 45 UUR	—	915
	—	NART 45 VR	—	NART 45 VUUR	935
50	NART 50 R	—	NART 50 UUR	—	980
	—	NART 50 VR	—	NART 50 VUUR	1 010

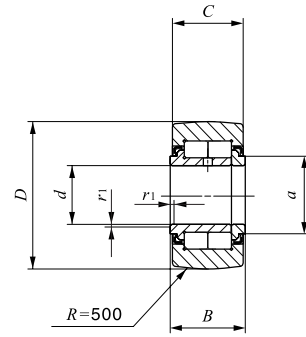
Remarks1. The inner ring has an oil hole.
2. The sealed type is provided with prepacked grease. The shield type is not provided with prepacked grease. Perform proper lubrication for use.

Boundary dimensions mm					Basic dynamic load rating C N	Basic static load rating C ₀ N	Maximum allowable static load N
d	D	B	C	a			
5	16	12	11	12	3 650	3 680	3 680
5	16	12	11	12	6 810	8 370	7 310
6	19	12	11	14	4 250	4 740	4 740
6	19	12	11	14	7 690	10 300	10 300
8	24	15	14	17.5	5 640	5 900	5 900
8	24	15	14	17.5	11 800	15 600	15 600
10	30	15	14	23.5	8 030	7 540	7 540
10	30	15	14	23.5	15 600	18 100	17 500
12	32	15	14	25.5	8 580	8 470	8 470
12	32	15	14	25.5	16 800	20 500	18 600
15	35	19	18	29	13 700	16 400	16 400
15	35	19	18	29	25 200	36 400	24 000
17	40	21	20	32.5	17 600	21 000	21 000
17	40	21	20	32.5	32 000	46 300	33 100
20	47	25	24	38	23 000	30 700	30 700
20	47	25	24	38	41 600	67 300	67 300
25	52	25	24	43	24 700	35 400	35 400
25	52	25	24	43	45 500	79 100	79 100
30	62	29	28	50.5	33 600	51 400	51 400
30	62	29	28	50.5	59 900	110 000	92 500
35	72	29	28	53.5	35 700	57 400	57 400
35	72	29	28	53.5	63 100	121 000	121 000
40	80	32	30	61.5	44 900	81 500	81 500
40	80	32	30	61.5	76 300	164 000	164 000
45	85	32	30	66.5	46 800	88 600	88 600
45	85	32	30	66.5	80 300	181 000	181 000
50	90	32	30	76	48 600	95 600	95 600
50	90	32	30	76	84 300	198 000	198 000

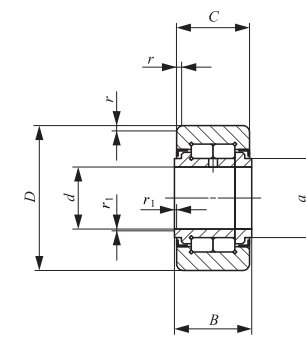
IKO Cylindrical Roller Followers Full Complement Type/With Inner Ring

Selectable product specifications

Roller guide type	No symbol	Full complement
Seal structure	No symbol	Shield type
	UU	Sealed type
Shape of outer ring	No symbol	Cylindrical outer ring
	R	Crowned outer ring



NURT...R



NURT

Shaft dia. mm	Identification number		Mass (Ref.) g	Boundary dimensions mm				
	Crowned outer ring	Cylindrical outer ring		<i>d</i>	<i>D</i>	<i>B</i>	<i>C</i>	<i>a</i>
15	NURT 15 R	NURT 15	100	15	35	19	18	20
	NURT 15-1 R	NURT 15-1	160	15	42	19	18	20
17	NURT 17 R	NURT 17	147	17	40	21	20	22
	NURT 17-1 R	NURT 17-1	222	17	47	21	20	22
20	NURT 20 R	NURT 20	245	20	47	25	24	27
	NURT 20-1 R	NURT 20-1	321	20	52	25	24	27
25	NURT 25 R	NURT 25	281	25	52	25	24	31
	NURT 25-1 R	NURT 25-1	450	25	62	25	24	31
30	NURT 30 R	NURT 30	466	30	62	29	28	38
	NURT 30-1 R	NURT 30-1	697	30	72	29	28	38
35	NURT 35 R	NURT 35	630	35	72	29	28	44
	NURT 35-1 R	NURT 35-1	840	35	80	29	28	44
40	NURT 40 R	NURT 40	817	40	80	32	30	49
	NURT 40-1 R	NURT 40-1	1 130	40	90	32	30	49
45	NURT 45 R	NURT 45	883	45	85	32	30	53
	NURT 45-1 R	NURT 45-1	1 400	45	100	32	30	53
50	NURT 50 R	NURT 50	950	50	90	32	30	58
	NURT 50-1 R	NURT 50-1	1 690	50	110	32	30	58

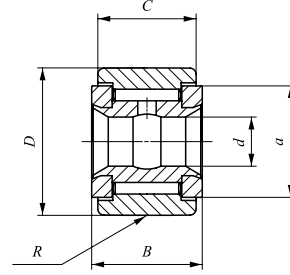
Note(1) Minimum allowable value of chamfer dimension *r* or *r*₁
 Remarks1. The inner ring has an oil hole.
 2. Provided with prepacked grease.

⁽¹⁾ <i>r</i> _{s min}	⁽¹⁾ <i>r</i> _{1s min}	Basic dynamic load rating <i>C</i>	Basic static load rating <i>C</i> ₀	Maximum allowable static load
		N	N	N
0.6	0.3	23 400	27 300	11 800
0.6	0.3	23 400	27 300	27 300
1	0.3	25 200	30 900	20 300
1	0.3	25 200	30 900	30 900
1	0.3	38 900	49 000	27 200
1	0.3	38 900	49 000	49 000
1	0.3	43 100	58 100	30 000
1	0.3	43 100	58 100	58 100
1	0.3	58 200	75 300	35 200
1	0.3	58 200	75 300	75 300
1	0.6	63 900	88 800	57 000
1	0.6	63 900	88 800	88 800
1	0.6	86 500	122 000	75 300
1	0.6	86 500	122 000	122 000
1	0.6	91 500	135 000	78 700
1	0.6	91 500	135 000	135 000
1	0.6	96 300	148 000	82 100
1	0.6	96 300	148 000	148 000

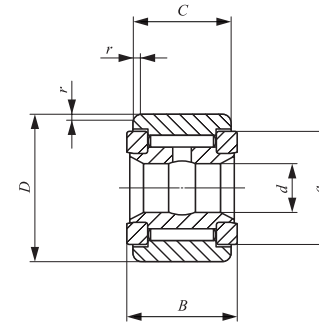
IKO Non-separable Roller Followers, Inch Series Full Complement Type /With Inner Ring

Selectable product specifications

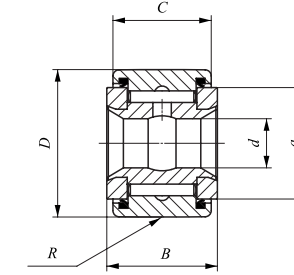
Roller guide type	No symbol	Caged
	V	Full complement
Seal structure	No symbol	Shield type
	UU	Sealed type
Shape of outer ring	No symbol	Cylindrical outer ring
	R	Crowned outer ring



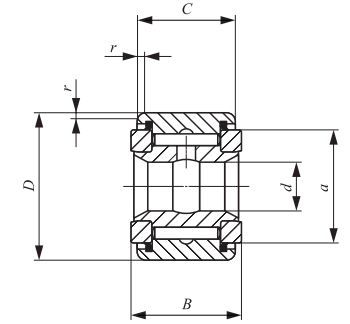
CRY...VR



CRY...V



CRY...VUUR



CRY...VUU

Stud dia. mm (inch)	Identification number				Mass (Ref.) g	Boundary dimensions mm(inch)			
	Shield type		Sealed type			d	D	B	C
	Crowned outer ring	Cylindrical outer ring	Crowned outer ring	Cylindrical outer ring					
6.350 (1/4)	CRY 12 VR	CRY 12 V	CRY 12 VUUR	CRY 12 VUU	27	6.350 (1/4)	19.050 (3/4)	14.288(0.5625)	12.700 (1/2)
	CRY 14 VR	CRY 14 V	CRY 14 VUUR	CRY 14 VUU	36	6.350 (1/4)	22.225 (7/8)	14.288(0.5625)	12.700 (1/2)
7.938 (5/16)	CRY 16 VR	CRY 16 V	CRY 16 VUUR	CRY 16 VUU	68	7.938 (5/16)	25.400 (1)	17.463(0.6875)	15.875 (5/8)
	CRY 18 VR	CRY 18 V	CRY 18 VUUR	CRY 18 VUU	77	7.938 (5/16)	28.575 (1 1/8)	17.463(0.6875)	15.875 (5/8)
9.525 (3/8)	CRY 20 VR	CRY 20 V	CRY 20 VUUR	CRY 20 VUU	109	9.525 (3/8)	31.750 (1 1/4)	20.638(0.8125)	19.050 (3/4)
	CRY 22 VR	CRY 22 V	CRY 22 VUUR	CRY 22 VUU	136	9.525 (3/8)	34.925 (1 3/8)	20.638(0.8125)	19.050 (3/4)
11.112 (7/16)	CRY 24 VR	CRY 24 V	CRY 24 VUUR	CRY 24 VUU	186	11.112 (7/16)	38.100 (1 1/2)	23.813(0.9375)	22.225 (7/8)
	CRY 26 VR	CRY 26 V	CRY 26 VUUR	CRY 26 VUU	227	11.112 (7/16)	41.275 (1 5/8)	23.813(0.9375)	22.225 (7/8)
12.700 (1/2)	CRY 28 VR	CRY 28 V	CRY 28 VUUR	CRY 28 VUU	290	12.700 (1/2)	44.450 (1 3/4)	26.988(1.0625)	25.400 (1)
	CRY 30 VR	CRY 30 V	CRY 30 VUUR	CRY 30 VUU	363	12.700 (1/2)	47.625 (1 7/8)	26.988(1.0625)	25.400 (1)
15.875 (5/8)	CRY 32 VR	CRY 32 V	CRY 32 VUUR	CRY 32 VUU	476	15.875 (5/8)	50.800 (2)	33.338(1.3125)	31.750 (1 1/4)
	CRY 36 VR	CRY 36 V	CRY 36 VUUR	CRY 36 VUU	599	15.875 (5/8)	57.150 (2 1/4)	33.338(1.3125)	31.750 (1 1/4)
19.050 (3/4)	CRY 40 VR	CRY 40 V	CRY 40 VUUR	CRY 40 VUU	816	19.050 (3/4)	63.500 (2 1/2)	39.688(1.5625)	38.100 (1 1/2)
	CRY 44 VR	CRY 44 V	CRY 44 VUUR	CRY 44 VUU	1 020	19.050 (3/4)	69.850 (2 3/4)	39.688(1.5625)	38.100 (1 1/2)
25.400 (1)	CRY 48 VR	CRY 48 V	CRY 48 VUUR	CRY 48 VUU	1 410	25.400 (1)	76.200 (3)	46.038(1.8125)	44.450 (1 3/4)
	CRY 52 VR	CRY 52 V	CRY 52 VUUR	CRY 52 VUU	1 640	25.400 (1)	82.550 (3 1/4)	46.038(1.8125)	44.450 (1 3/4)
28.575 (1 1/8)	CRY 56 VR	CRY 56 V	CRY 56 VUUR	CRY 56 VUU	2 250	28.575 (1 1/8)	88.900 (3 1/2)	52.388(2.0625)	50.800 (2)
31.750 (1 1/4)	CRY 64 VR	CRY 64 V	CRY 64 VUUR	CRY 64 VUU	3 200	31.750 (1 1/4)	101.600 (4)	58.738(2.3125)	57.150 (2 1/4)

Remarks1. The inner ring has an oil groove and an oil hole.
2. Provided with prepacked grease.

a	R	r	Shaft dia. mm						Basic dynamic load rating C	Basic static load rating C ₀
			Push fit		Drive fit		Press fit			
			Min.	Max.	Min.	Max.	Min.	Max.		
14.4(0.567)	250 (10)	0.794 (1/32)	6.332	6.342	6.348	6.358	6.353	6.363	8 710	12 300
14.4(0.567)	250 (10)	0.794 (1/32)	6.332	6.342	6.348	6.358	6.353	6.363	8 710	12 300
19.6(0.772)	300 (12)	1.191 (1/16)	7.920	7.930	7.935	7.945	7.940	7.950	13 100	22 700
19.6(0.772)	300 (12)	1.588 (1/16)	7.920	7.930	7.935	7.945	7.940	7.950	13 100	22 700
25.0(0.984)	360 (14)	1.588 (1/16)	9.507	9.517	9.523	9.533	9.528	9.538	23 600	31 700
25.0(0.984)	360 (14)	1.588 (1/16)	9.507	9.517	9.523	9.533	9.528	9.538	23 600	31 700
28.8(1.134)	500 (20)	1.588 (1/16)	11.095	11.105	11.110	11.120	11.115	11.125	28 200	40 100
28.8(1.134)	500 (20)	1.588 (1/16)	11.095	11.105	11.110	11.120	11.115	11.125	28 200	40 100
32.7(1.287)	500 (20)	1.588 (1/16)	12.682	12.692	12.698	12.708	12.708	12.718	35 300	55 600
32.7(1.287)	500 (20)	1.588 (1/16)	12.682	12.692	12.698	12.708	12.708	12.718	35 300	55 600
36.0(1.417)	600 (24)	1.588 (1/16)	15.857	15.867	15.873	15.883	15.883	15.893	45 700	80 600
36.0(1.417)	600 (24)	1.588 (1/16)	15.857	15.867	15.873	15.883	15.883	15.893	45 700	80 600
43.3(1.705)	760 (30)	2.381 (3/32)	19.032	19.042	19.048	19.058	19.058	19.068	61 400	116 000
43.3(1.705)	760 (30)	2.381 (3/32)	19.032	19.042	19.048	19.058	19.058	19.068	61 400	116 000
54.0(2.125)	760 (30)	2.381 (3/32)	25.377	25.390	25.397	25.410	25.408	25.420	77 600	172 000
54.0(2.125)	760 (30)	2.381 (3/32)	25.377	25.390	25.397	25.410	25.408	25.420	77 600	172 000
61.9(2.437)	760 (30)	2.381 (3/32)	28.522	28.565	28.572	28.585	28.583	28.595	111 000	239 000
71.0(2.797)	760 (30)	2.381 (3/32)	31.727	31.740	31.747	31.760	31.758	31.770	142 000	317 000